



Providing the world's leading retailers with secure, open displays that encourage customer interaction

ProTrack Hold Down

Keeps Laptops Neat and Secure While Promoting Sales

ProTrack Hold Down protects laptops in an open environment, providing stationary displays that allow customers complete access to all laptop controls. A full range of screen bar sizes accommodates almost any laptop. The fully adjustable front

grip can be positioned to prevent consumer access to CD or DVD trays, battery compartments or network card slots. This system is mechanical but can be used in conjunction with electronic protection for additional security.



Features

- Modern, transparent design
 - Sliding track concept
 - Adjustable components
 - Tamper-proof screws
 - Minimal hardware
 - Simple, sturdy construction
-

Advantages

- Secured merchandise
- Complete product accessibility
- Fast and convenient re-merchandising
- Accommodates all laptop sizes
- Virtually unnoticeable
- Time and labor savings
- Consistently organized displays



Protrack Hold Down SPECIFICATIONS

TRACK:

Length47.5" (120.65cm)
 Height0.5" (12.7cm)
 Width3.52" (8.89cm)
 Weight2.9 lbs (1.3kg)

SCREENBAR:

Extra Small 0.282 lb.
 Small 0.3525 lb.
 Medium 0.3915 lb.
 Large 0.432 lb.
 Extra Large 0.4775 lb.

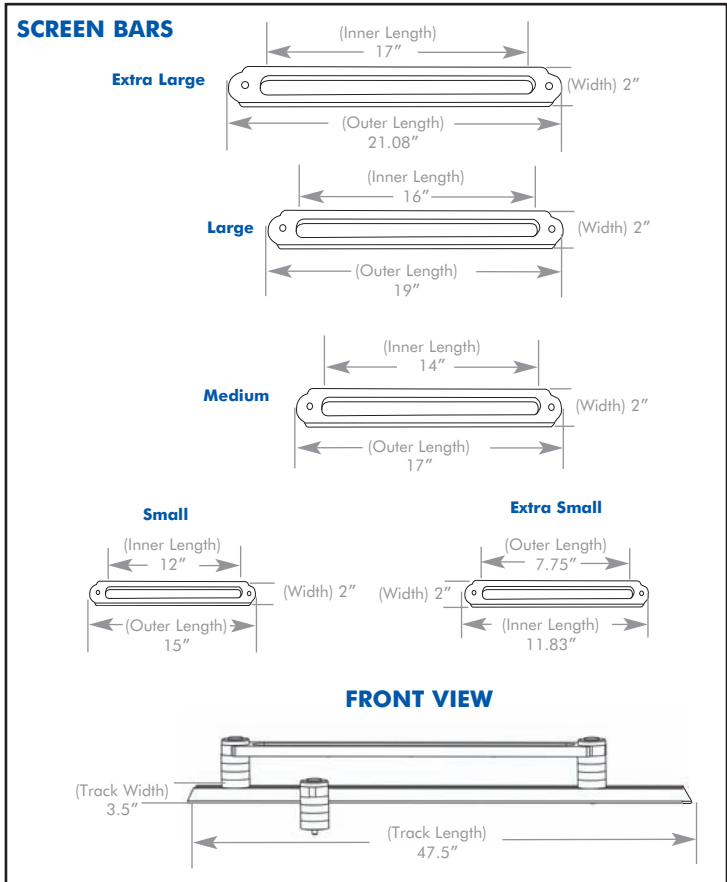
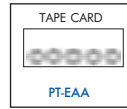
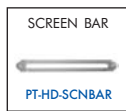
ITEM:

MATERIAL:

FINISH:

Screen Bar Plastic Clear
 Track Aluminum Clear Anodize

PROTRACK HARDWARE:



For more information on Screen Bar sizes contact your Customer Fulfillment Representative.

PART#	DESCRIPTION	INCLUDED PARTS
PT-HD-TRK-REPL	Replacement track hardware	5 Bearing Plates, 1 Instruction, 5 Screws
PT-HD-ASY-C	Replacement Hold Down hardware	1 Bearing Plate, 2 Retaining Nuts, 3 Screws, 1 Alcohol Pad, 1 Electronic Attach-All Tape, 1 Instruction, 1 Front Grip, 12 Spacers, 3 Top Caps, 3 Screw Covers
PTHD-ASY-SM-C	ProTrack hardware with small screen bar	1 Small screen bar, 1 Bearing Plate, 2 Retaining Nuts, 3 Screws, 1 Alcohol Pad, 1 Electronic Attach-All Tape, 1 Instruction, 1 Front Grip, 12 Spacers, 3 Top Caps, 3 Screw Covers
PTHD-ASY-XSM-C	ProTrack hardware with extra small screen bar	1 Extra small screen bar, 1 Bearing Plate, 2 Retaining Nuts, 3 Screws, 1 Alcohol Pad, 1 Electronic Attach-All Tape, 1 Instruction, 1 Front Grip, 12 Spacers, 3 Top Caps, 3 Screw Covers
PTHD-ASY-MD-C	ProTrack hardware with medium screen bar	1 Medium screen bar, 1 Bearing Plate, 2 Retaining Nuts, 3 Screws, 1 Alcohol Pad, 1 Electronic Attach-All Tape, 1 Instruction, 1 Front Grip, 12 Spacers, 3 Top Caps, 3 Screw Covers
PTHD-ASY-LG-C	ProTrack hardware with large screen bar	1 Large screen bar, 1 Bearing Plate, 2 Retaining Nuts, 3 Screws, 1 Alcohol Pad, 1 Electronic Attach-All Tape, 1 Instruction, 1 Front Grip, 12 Spacers, 3 Top Caps, 3 Screw Covers
PTHD-ASY-XLG-C	ProTrack hardware with extra large screen bar	1 Extra Large screen bar, 1 Bearing Plate, 2 Retaining Nuts, 3 Screws, 1 Alcohol Pad, 1 Electronic Attach-All Tape, 1 Instruction, 1 Front Grip, 12 Spacers, 3 Top Caps, 3 Screw Covers
PT-HD-GRIP-ASY-2	Front Grip Assembly	2 Bearing Plate, 2 Screws, 1 Alcohol Pad, 1 Electronic Attach-All Tape, 1 Instruction, 2 Front Grips, 8 Spacers, 2 Top Caps, 2 Screw Covers
PT-HD-TRK-ASY-C	4' Aluminum Track with hardware	1 Aluminum Track, 5 Screws, 1 Instruction, 5 Bearing Plates
PT-HD-SCNBAR-XS	7.75" screen bar	1 Extra Small screen bar
PT-HD-SCNBAR-S	12" screen bar	1 Small screen bar
PT-HD-SCNBAR-M	14" screen bar	1 Medium screen bar
PT-HD-SCNBAR-L	16" screen bar	1 Large screen bar
PT-HD-SCNBAR-XL	17" screen bar	1 Extra Large screen bar

IMPORTANT USER NOTE
 Complete product installation requires the following: minimum of 1 Aluminum Track, minimum of 1 Screen Bar Assembly

For further information please reference INST-PT-HD-TRK. Specifications subject to improvement or change without notice. Copyright © 2007 Protex International Corp. Certain product names mentioned herein may be trade names and/or registered trademarks of Protex International Corporation.

